

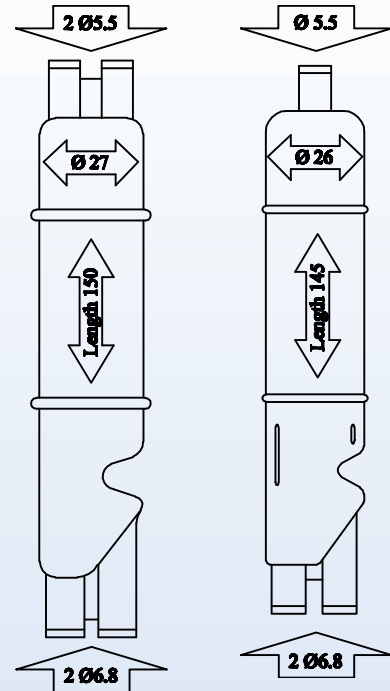


Expansion chamber Gambro type EXP. 27 4W  
 2 x Ø 5.5 mm + 2 x Ø 6.8 mm dimension: Ø 27, length: 150 mm  
 Material: Rigid PVC / STD Pack: 500 pcs

**C26018090** - ETO - Radiation

Expansion chamber Gambro type EXP. 26 3W  
 1 x Ø 5.5 mm + 2 x Ø 6.8 mm dimension: Ø 26, length: 145 mm  
 Material: Rigid PVC / STD Pack: 500 pcs

**C26008090** - ETO - Radiation

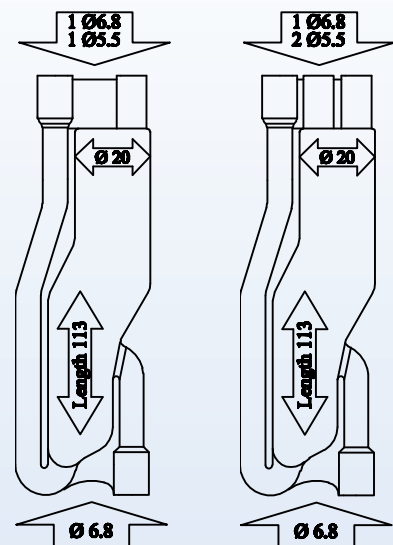


Pre-pump chamber Cobe Fresenius type T20 3W  
 1 x Ø 5.5 mm + 2 x Ø 6.8 mm dimension: Ø 20, length: 113 mm  
 Material: Rigid PVC / STD Pack: 850 pcs

**C29408090** - ETO - Radiation

Pre-pump chamber Cobe Fresenius type T20 4W  
 2 x Ø 5.5 mm + 2 x Ø 6.8 mm dimension: Ø 20, length: 113 mm  
 Material: Rigid PVC / STD Pack: 850 pcs

**C29508090** - ETO - Radiation

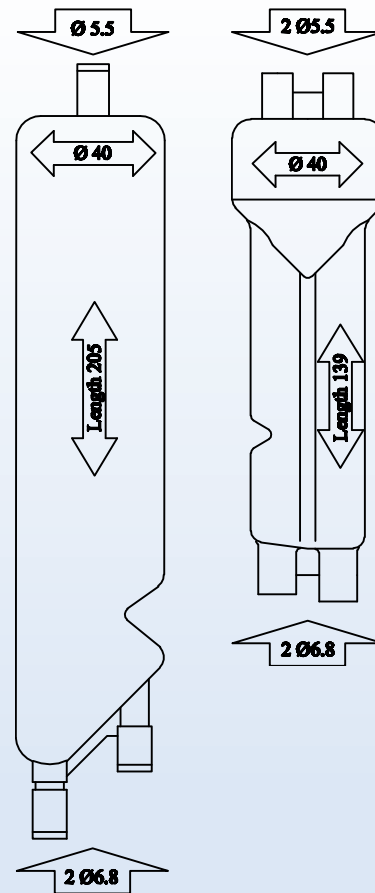


Expansion chamber Gambro type C40 3W  
1 x  $\varnothing$  5.5 mm + 2 x  $\varnothing$  6.8 mm dimension:  $\varnothing$  40, length: 205 mm  
Material: Rigid PVC / STD Pack: 330 pcs

**C15208090** - ETO - Radiation

Expansion chamber Multimat 4W  
2 x  $\varnothing$  5.5 mm + 2 x  $\varnothing$  6.8 mm dimension:  $\varnothing$  40, length: 139 mm  
Material: Rigid PVC / STD Pack: 400 pcs

**C29608090** - ETO - Radiation

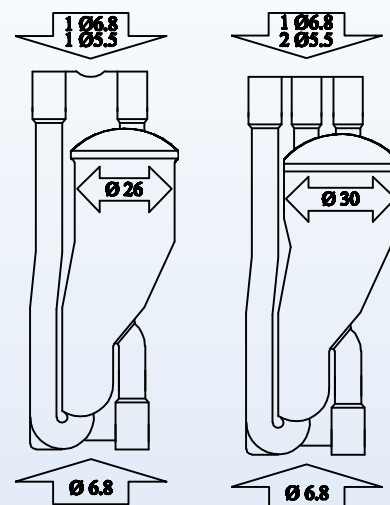


Pre-pump chamber Integra short D26 3W  
1 x  $\varnothing$  5.5 mm + 2 x  $\varnothing$  6.8 mm dimension:  $\varnothing$  26, length: 100 mm  
Material: Rigid PVC / STD Pack: 800 pcs

**C27018090** - ETO - Radiation

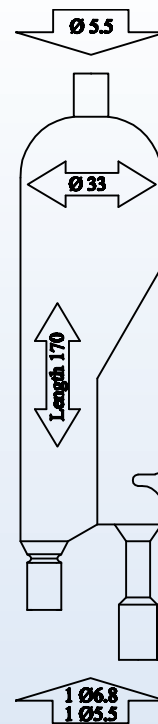
Pre-pump chamber Integra short D30 4W  
2 x  $\varnothing$  5.5 mm + 2 x  $\varnothing$  6.8 mm dimension:  $\varnothing$  30, length: 100 mm  
Material: Rigid PVC / STD Pack: 750 pcs

**C27008090** - ETO - Radiation



Expansion chamber Hospal Integra without ELH  
dimension: Ø 33, lenght: 170 mm  
Material: Rigid PVC / STD Pack: 500 pcs

**C27108090** - ETO - Radiation



For HEMOSCAN Ø 6.8 cod. C27108090  
dimension: Ø 10, lenght: 41 mm  
Material: Rigid PVC / STD Pack: 5.000 pcs

**C27118010** - ETO - Radiation

